



Linear Magnetic Brake: Stages of Engagement

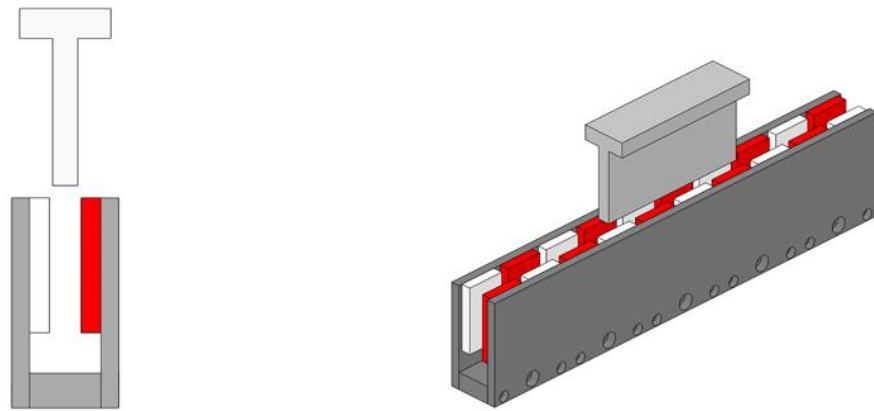


Figure 1: Brake is Completely Disengaged.

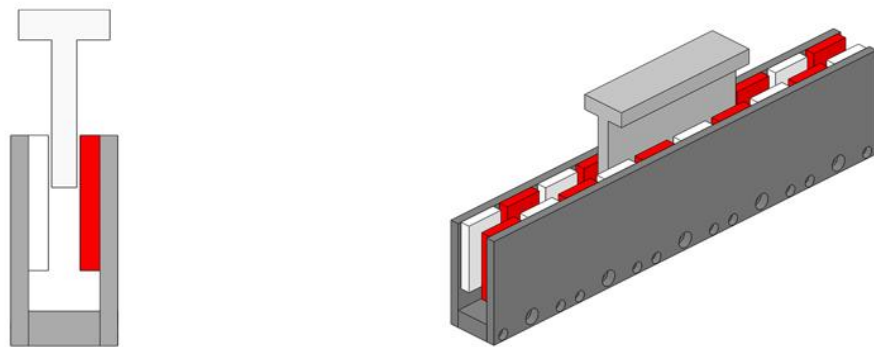


Figure 2: Brake is generating ~30% brake force.



Linear Magnetic Brake: Stages of Engagement

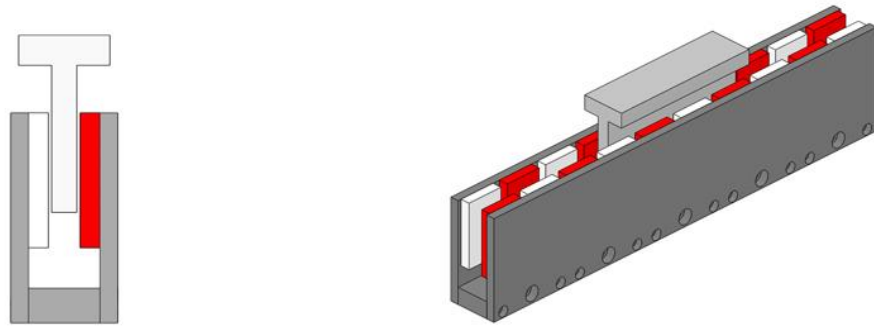


Figure 3: Brake is generating ~70% brake force.

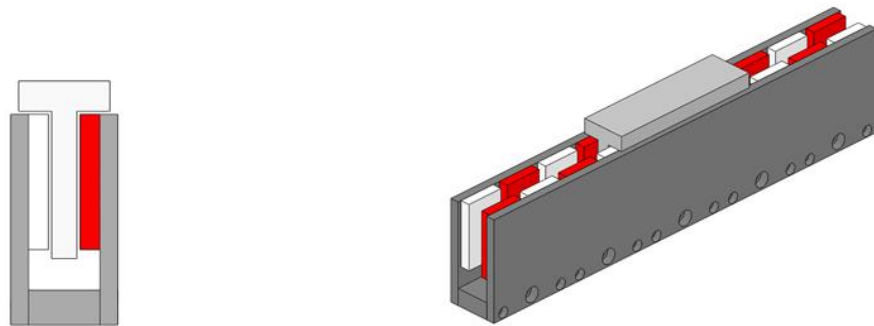


Figure 4: Brake is generating 100% brake force.